



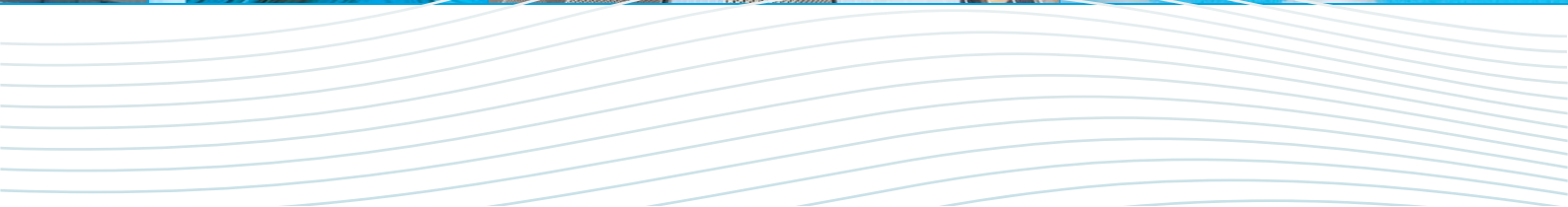
KOHLHAUER® NOISE BARRIERS - QUALITY OF LIFE

KOHLHAUER® CLEARWALL®

Austria · Belgium · China · Czech Republic · France · Germany · Greece · Hong Kong · Italy · Korea · Latvia · Netherlands · Poland · Romania · Russia · Slovakia · Spain · Sweden · Switzerland · United Kingdom

INNOVATIVE 

Transparent and absorbing
Various designs
Proven quality



KOHLHAUER **SCORSA**[®] – UTMOST FUNCTIONALITY

KOHLHAUER[®] **CLEARWALL**[®]

A noise absorptive product of the KOHLHAUER SCORSA[®] range

The refined technology of CLEARWALL[®] stands for noise protection of the highest standard. CLEARWALL[®] is a modular frame system that combines transparent noise protection with integrated, absorbing elements. The noise absorption level of the frame element is 4 dB. Using a highly absorbing basement, absorption levels of up to 8 dB for the entire. It is not necessary anymore to renounce transparent elements, when absorbing noise barriers are required. Travelers may still view landscapes, cities, monuments and sights. KOHLHAUER[®] offers two different CLEARWALL[®] systems.

CLEARWALL[®] VS

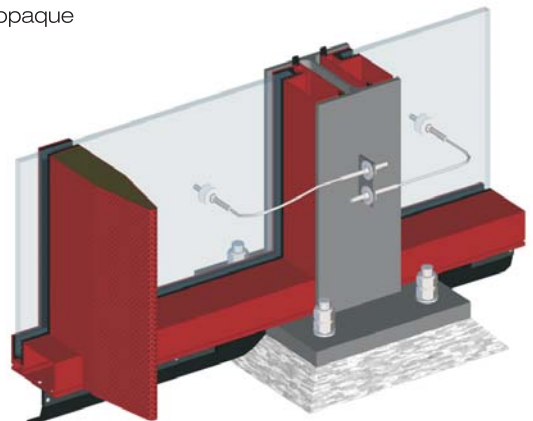
The basis for this transparent and absorbing noise protection system is a sophisticated design with vertical lamella, integrated into a 4-sided frame system with transparent panels. Using 4-sided frames, the elements can be mounted one above each other. The screw connection of the lamella with panel provides the stability of a space frame work. The vertical arrangement of the lamella also serves as glare protection. Looking to the front, glare can be avoided; whilst looking to the side, a clear view can be maintained. Hence, CLEARWALL[®] VS can easily be used for glare protection areas where usually opaque systems would be required. Additionally, the vertical lamellas provide graffiti and dirt protection.

CLEARWALL[®] VS - The Construction

Modular, pre-mounted element

Standard sizes: 4000 x 2000, 4000 x 1000 mm
5000 x 2000, 5000 x 1000 mm

Distance between lamellas: 40-60 cm
(Special formats available on request)



KOHLHAUER **SCORSA**[®] – UTMOST FUNCTIONALITY

KOHLHAUER[®] **CLEARWALL**[®]

CLEARWALL[®] HS

CLEARWALL[®] HS is a transparent frame system with noise absorbing properties. Highly active absorber elements are integrated into the frame system and the centre bar.

The integrated absorber elements are covered by perforated plates. The result is a harmonious looking frame system, which optionally can be delivered in different colours. The modular elements can easily be set one above the other (4 m elements with one centre bar).

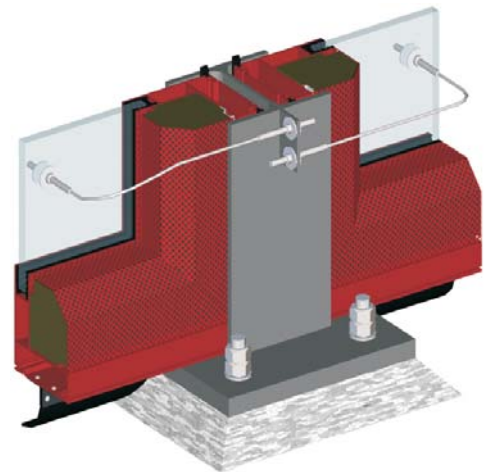
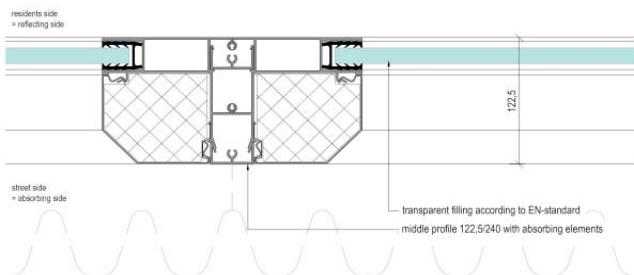
However its horizontal nature is maintained. The clear structure of the elements provides a pleasant appearance and vista to the road user and at the same time transparent noise protection for the residents.

CLEARWALL[®] HS - The Construction

Modular, pre-mounted element

Standard sizes: 4.000 x 1.000 mm

(Special formats available on request)





R. Kohlhauer GmbH
Draisstraße 2
76571 Gaggenau | Germany
Phone: 0049 72 25 97 57 -0
Fax: 0049 72 25 97 57 -26
E-Mail: info@kohlhauer.com

WWW.KOHLHAUER.COM

MORE KOHLHAUER® PRODUCTS



The reasonable and proven all-round Grid-Insulation-System (GIS) with many design variations.



The plantable noise barrier - eco-friendly, sustainable and high functional.



Double benefit: Noise barrier combined with sustainable power generation through solar technology.

